

# SPS8VF OSCILLATOR

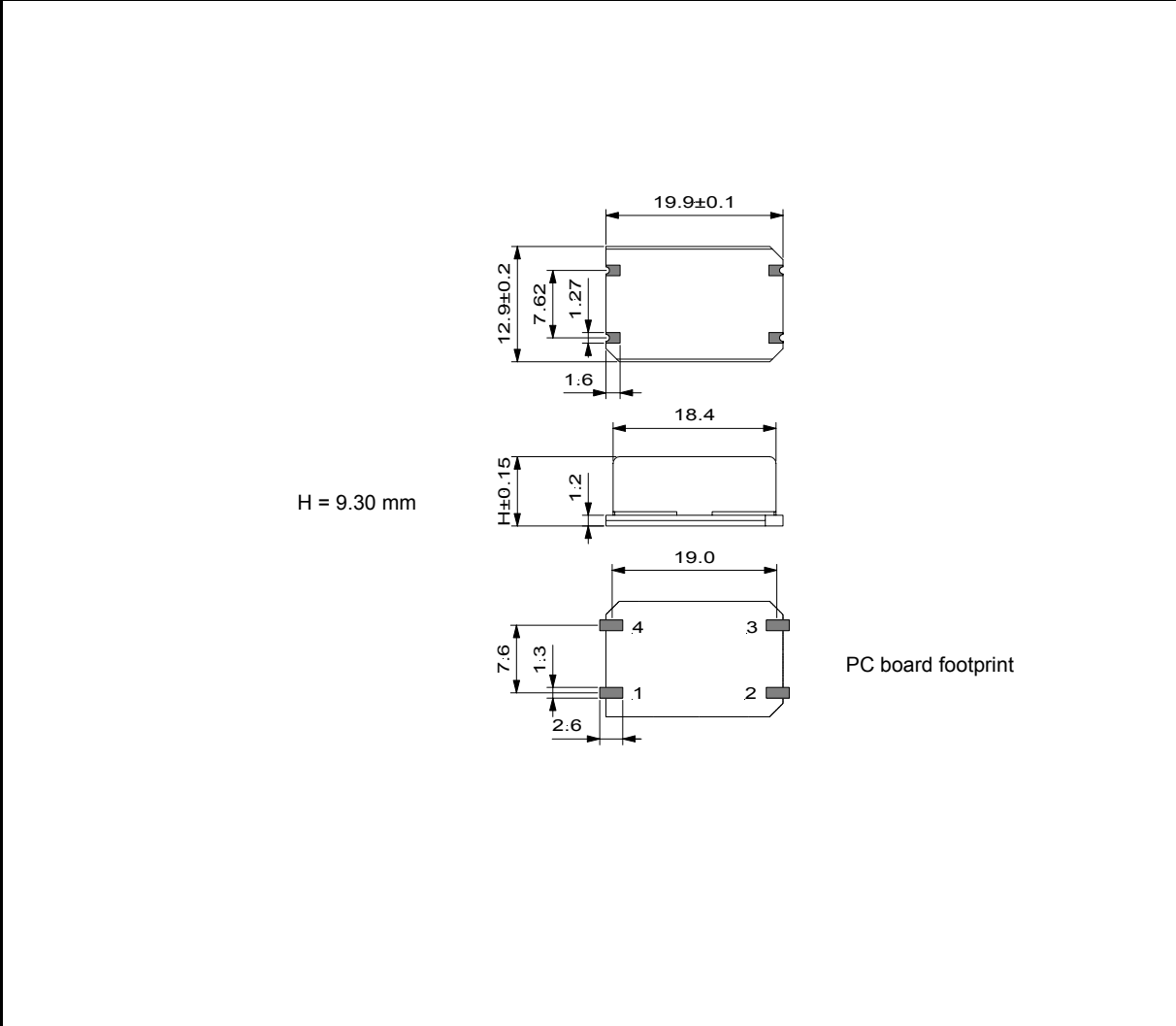
Specifications		
Parameters	Standard	Options
Frequency range	16 MHz - 160 MHz	
Logic output	Sinewave	
Frequency stability		
Initial at 25°C	± 10 ppm	
Temperature	± 25 ppm	± 15 ppm
vs supply voltage change	± 3 ppm	
vs load change	± 1,0 ppm	
Aging first year	± 2 ppm	
Operating temperature	0° C ~ +70°C	-40°C ~ +85°C
Storage temperature	-40°C ~ +85°C	
Supply voltage	5,0 V +-5%	
Current	50 mA max	
Load	50 ohm	
Harmonics	-20 dBc max	
Start-up time	20 ms max.	
Linearity	± 10% max.	
Frequency tuning range	±100 ppm min	
Pulling slope	Positive	
External control voltage	+2,5 VDC ±2 VDC	
Marking	Freq + Code + Week +Year	

# SPS8VF OSCILLATOR

## Specifications

### Drawing

Package	SP8 4 pads	
---------	------------	--



H = 9.30 mm

PC board footprint

Pin configuration	#1 : V control	
	#2 : GND	
	#3 : Output	
	#4 : Vcc	